

PITE 3552 Power Meter Tester

---Get "Power" in hand!!!

It is multi-functional in field-testing for all wiring power meters and metering units in power grid of high and low voltage. Testing functions include: metering unit, power meter and harmonics. With these function, it is widely used in power utility, substation, telecom machine room and the alike for power consumption examination, circuit breakage inspection, power abnormality analyzing, harmonics analyzing, asset management and industrial production management. What's more, it is especially applied by billing departments/companies for electricity losses, high-tech electricity theft and pre-metering theft. PITE 3352 could be used individually; meanwhile, it could communicate with each other with its wireless adaptor.



Feature

- ◆ Touch-screen (TFT) operation with simple screen instruction
- ◆ Single-phase and three-phase measurement, two in one
- ◆ Test for all metering units and power meters of both high and low volt under 10KV
- ◆ Combination of electricity meter tester and power quality analyzer
- ◆ Online monitor for real-time data testing and comparison
- ◆ User-friendly interface and vivid screen display, simplify on-site testing of industrial and residential billing meters
- ◆ Different units could be used simultaneously in the circuit for comprehensive testing and troubleshooting
- ◆ Safe and quick measurement for electricity anti-theft
- ◆ Test result playback on screen and transferable to PC



Technical Parameter

Voltage signal input: Direct input

- ◆ Resistance: >2M Ω , 20pF
- ◆ Testing range: 10~700Vrms
- ◆ Peak voltage: 1000V
- ◆ Power consumption: <0.5VA/phase

Current input circuit

- ◆ Indirect input, with different current clamps
- ◆ Testing range: 20Arms, 500Arms, 1000Arms
- ◆ Power consumption: <2.0VA/phase

Frequency range: 40~70Hz

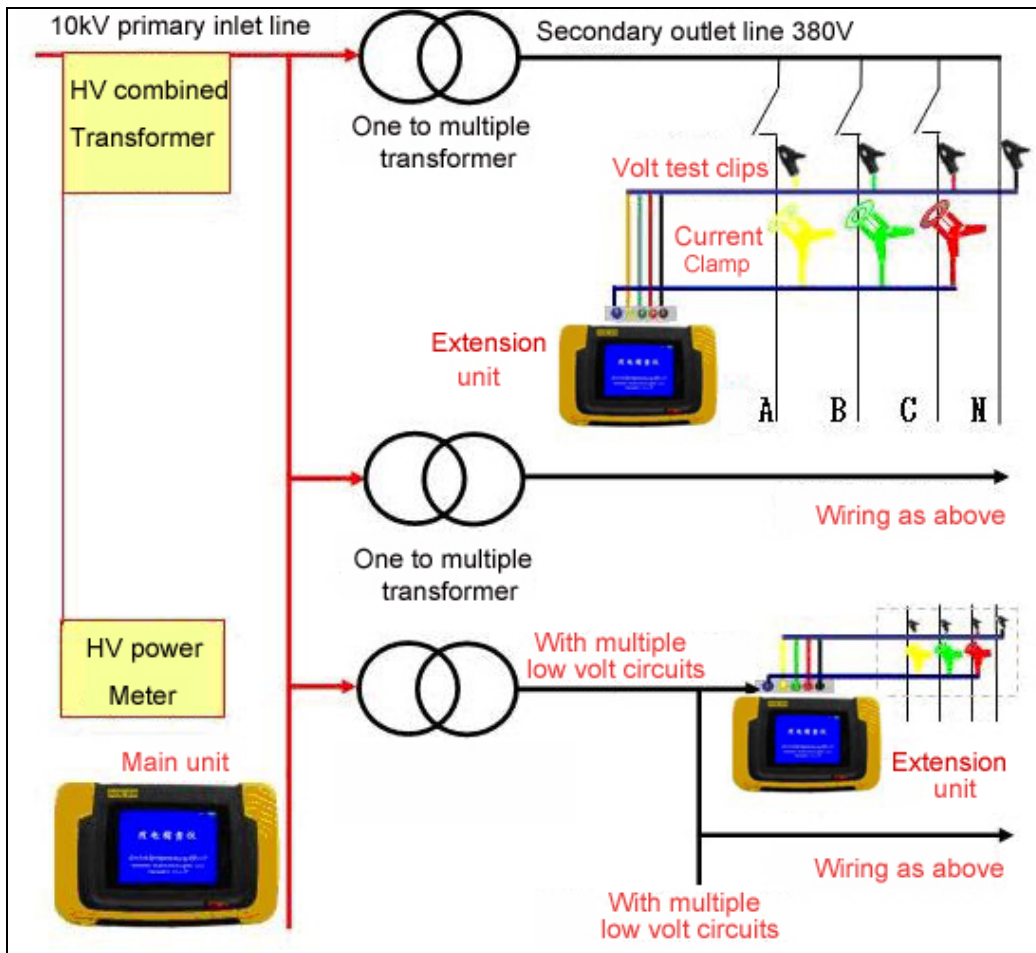
- ◆ Screen: 320*240, 3.5' TFT LCD touch-screen
- ◆ Memory: 128 MB Flash
- ◆ Com port: USB port
- ◆ Power supply: rechargeable Li-ion battery
workable for 5~6 hours
- ◆ Power adaptor: AC100~240V/DC16.8V-1A
Adaptor/charger
- ◆ Main unit: 1.2kg, 277x169x36mm

- ◆ Working temperature: -20~40°C
- ◆ Relative humidity: 5~90%RH
- ◆ Insulation: >2MΩ, AC1500V/50Hz, 1 min

Communication between main unit and extension unit

- ◆ Transmitting frequency: 433MHz
- ◆ Communication distance:>800 meters
- ◆ Frequency modulation: FSK

Example of Application



This is application in high-volt metering unit with extension units working simultaneously.

It is also applicable in other metering units and power meters.

Functionality

| Function | Description |
|----------------------------------|---|
| Low-volt measurement | Could test 3-phase 4 wire metering units and single-phase power meters |
| High-volt measurement | Could test high voltage metering units and power meters |
| High-Low volt transmission ratio | Test high-volt CT and low-volt CT |
| Online measurement | Active power, reactive power and power factor of 3-phase 4 wire circuit |

| | |
|------------------------------|---|
| Harmonics Measurement | Harmonic measurement up to 50 Times. Test result includes: each harmonic voltage, harmonic current amplitude, Total Harmonic Distortion (THD), voltage harmonic/ current harmonic ratio (HR) and harmonic spectrum. |
| Test result playback | Convenient playback of testing result |

Technical Parameter:

| Specification | Testing range | Accuracy |
|---------------------------------------|---|--|
| Voltage/current/ frequency | 3-phase voltage: 10~700Vrms 3-phase current: 0.5~1000Arms Neutral-line current: 0.5~10Arms Frequency: 40~70Hz | Voltage: $\pm 0.5\%$ Current: $\pm 0.5\%$ Frequency: $\pm 0.01\text{Hz}$ NOTE: Take frequency of phase A as measuring frequency |
| Harmonic testing | Voltage harmonic: total harmonic+1~50 Current harmonic: total harmonic+1~50 | Voltage harmonic: $\pm 0.1(\%r)$ Current harmonic: $\pm 0.05(A)$ |
| Power measurement | Active power: 0.05~700kW Apparent: 0.05~700kVA Reactive power: 0.05~700KVAR Power factor: 0.00~1.00 KWh: 0.01~10000kW·h KVAh: 0.01~10000kVA·h kVARh: 0.01~10000 kVARh Average Total Power Factor : 0.00~1.00 | Active: reading $\pm 50W$ Apparent: reading $\pm 50VA$ Reactive: reading $\pm 50VAR$ Power factor: reading ± 0.005 KWh: reading $\pm 0.05\text{kWh}$ KVAh: reading $\pm 0.1\text{kVAh}$ KVARh: reading $\pm 0.1\text{ kVARh}$ Average Total Power Factor: reading ± 0.005 |

CONTACT PITE:**PITE TECH. INC.**

ADD: 4/F, Bldg A, Chiwan Industrial Park, Shaodi Rd., Chiwan, Shekou Area, Shenzhen, China

Tel: +86-755-2680 5759

Fax: +86-755-2688 0310

sales@pitotech.com

www.pitotech.com